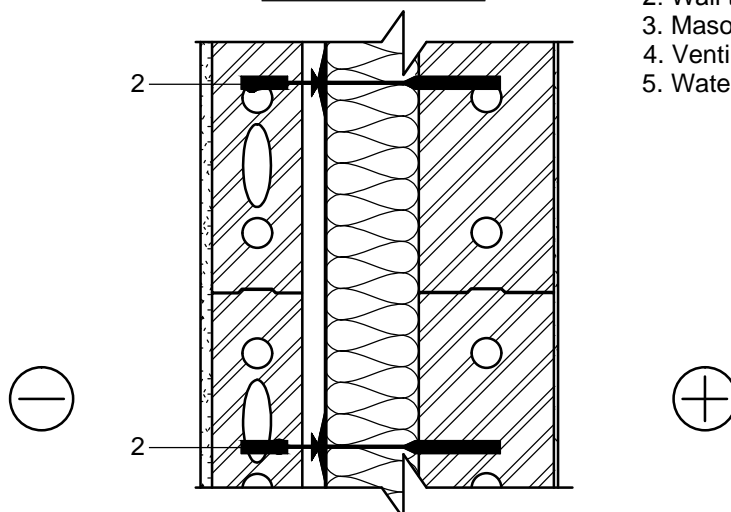

SECTION 1-1

1. Reinforced plaster
2. Wall tie PK with fixer CLIP 5.5 pc./m²
3. Masonry wall
4. Ventilation boxes
5. Waterproofing


NOTES:

1. Wall heat transfer coefficients according to STR 2.01.03:2009 requirements;
2. Ventilated air gap width and ventilation boxes selected according to Recommendation R40-02 "Walls with an air space design and construction".