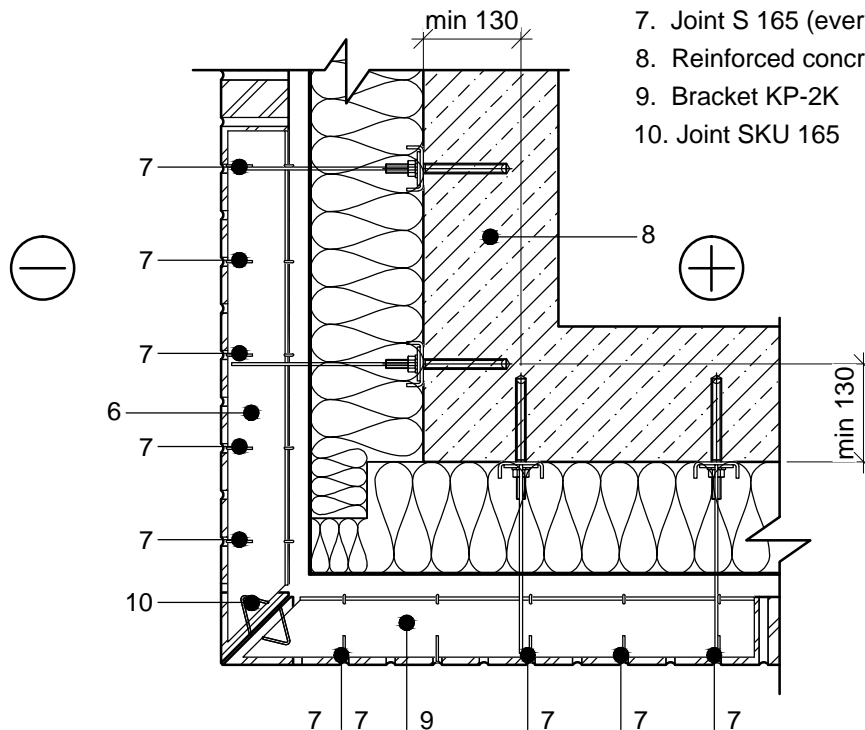


SECTION 1-1

1. Facing brickwork 85-120 mm
2. Wall tie WB(WK) with fixer 5.5 pc./m²
3. Ventilation box
4. Waterproofing
5. Reinforcement Murfor RND/Z-50 (3 rows)
6. Bracket KP-2D
7. Joint S 165 (every two bricks)
8. Reinforced concrete beam
9. Bracket KP-2K
10. Joint SKU 165



NOTES:

1. Wall heat transfer coefficients according to STR 2.01.03:2009 requirements;
2. Ventilated air gap width selected according to Recommendation R40-02 "Walls with an air space design and construction".