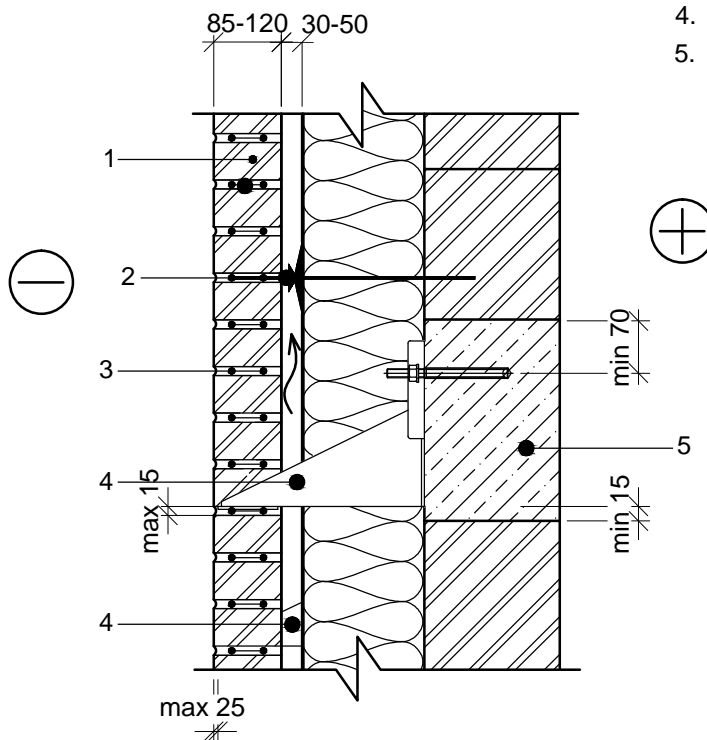


**SECTION 1-1**

1. Facing brickwork 85-120 mm
2. Wall tie WB(WK) with fixer 5.5 pc./m<sup>2</sup>
3. Reinforcement Murfor RND/Z-50  
(L min. 1500 mm)
4. Bracket KP
5. Concrete C 20/25



**NOTES:**

1. Wall heat transfer coefficients according to STR 2.01.03:2009 requirements;
2. Ventilated air gap width selected according to Recommendation R40-02 "Walls with an air space design and construction".