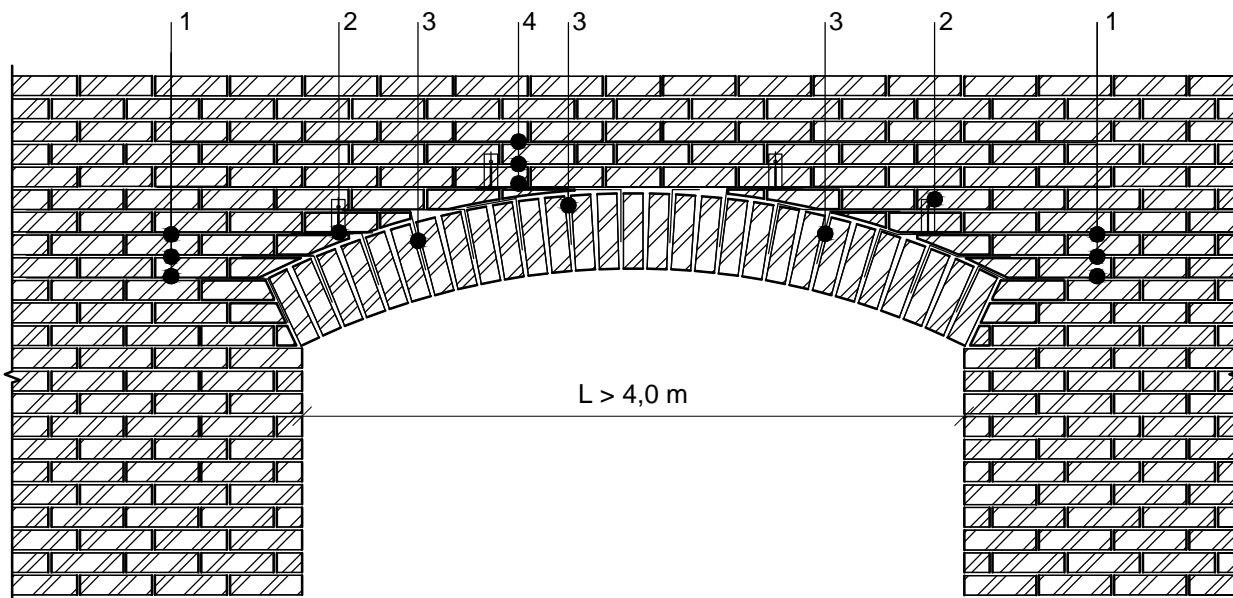


FIRST PHASE



SECOND PHASE

1. Reinforcement Murfor RND/Z-50
2. Bracket GSP (KP-M)
3. Metal ties ST-02 (every two bricks)
4. Reinforcement Murfor RND/Z-50 (3 rows, over the span)

NOTES:

1. On the second phase metal tie ST-02 is fixed in masonry cladding;
2. Required brackets GSP or KP-M is determined by calculation of brackets carrying capacity.