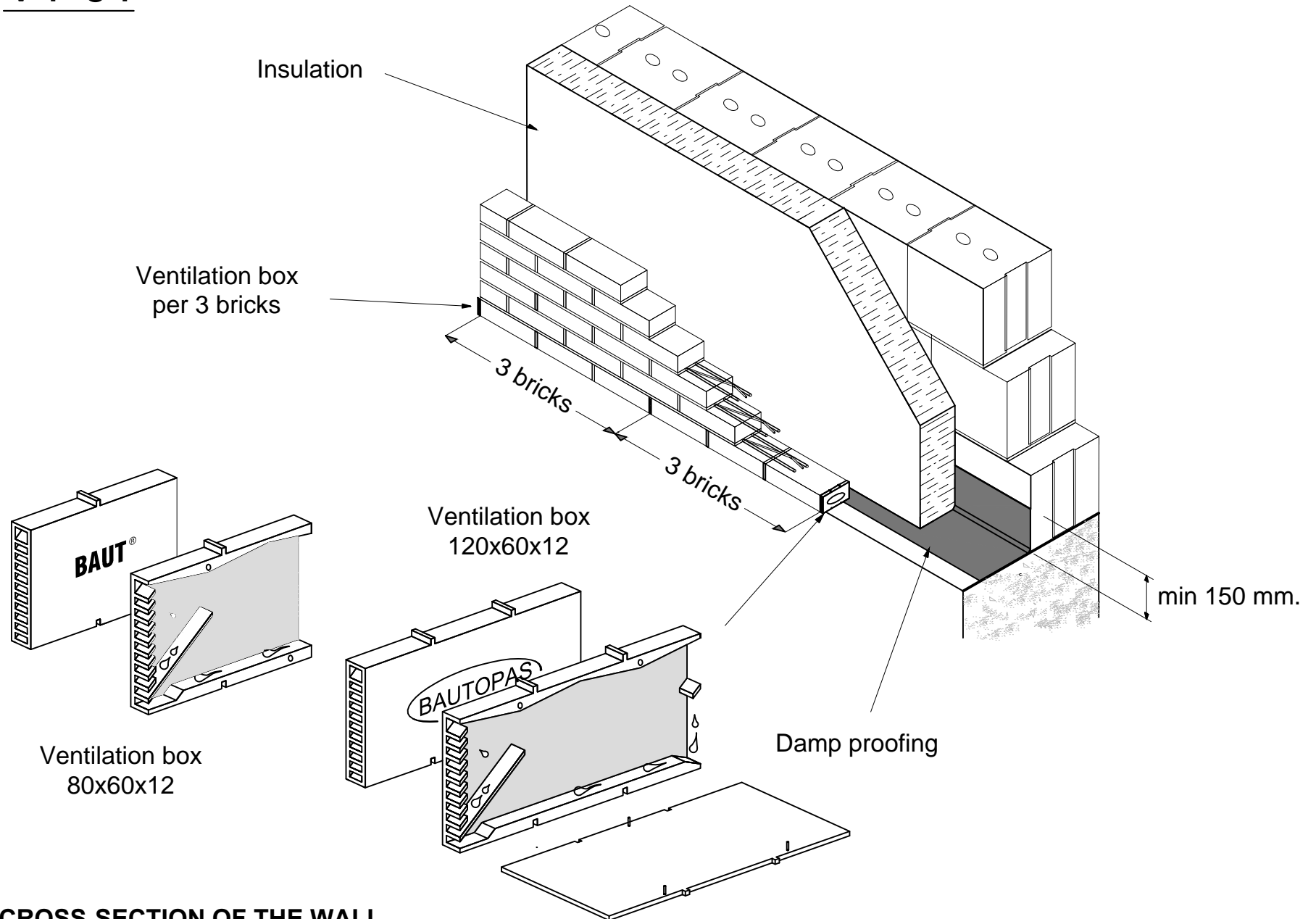
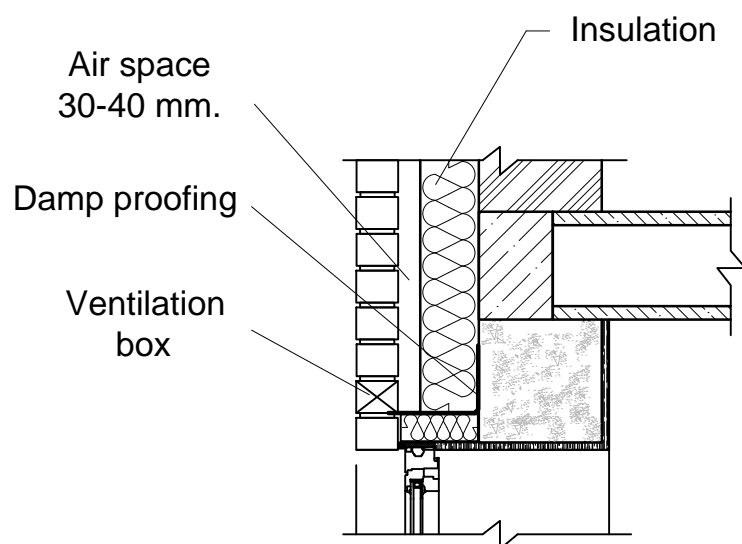


VENTILATION BOXES

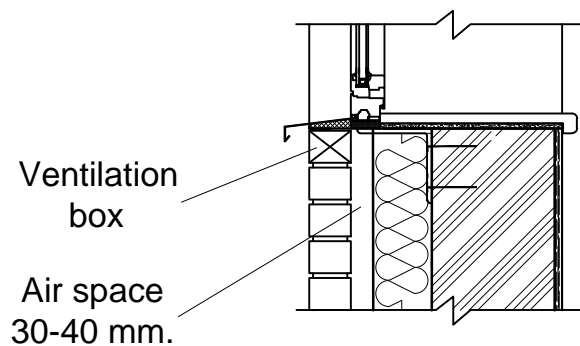
V1-01



CROSS-SECTION OF THE WALL ABOVE THE OPENING



CROSS-SECTION OF THE WALL UNDER THE OPENING



BASIC ADVANTAGES:

- *Ventilation of the air gap
- *Protection of the wall against rodents and other pests
- *Protection against rainfall (especially in case of side rain)
- *Removing of condensate outwards
- *Ventilation boxes almost invisible if selected according to the colour of the mortar or bricks, and, therefore, do not affect the general view of the facade.

ARRANGEMENT OF VENTILATION BOXES:

- *Boxes should be installed in vertical joints of brickwork as follows:
 - 1 ventilation box per 3 bricks
- *2 rows of boxes in the building of up to two floors (at the bottom – within the first row of brickwork and at the top – within the last one)
- *1 additional row of boxes per every second floor in multi-storey buildings
- *Additional ventilation boxes should be installed above and under openings.

COLOR:

White, light gray, dark gray, black, brown, sandy.